

MP230EP

Output Rating

Voltage	Frequency		Standby	Prime
400 V	50 Hz	KVA	258	225
		KW	206	180

Rating Definitions

Ratings are in accordance with ISO 8528, ISO 3046, BS 5514.

Prime Rating

Applicable for supplying continuous electrical power (no limitation to annual hours of operation), at variable load, in lieu of utility power network; 10% overload is permitted for 1 hour in every 12 hours.

Standby Rating

Applicable for supplying continuous electrical power, at variable load, in the event of a utility power failure; no overload is permitted on standby ratings.

Standard Reference Conditions

Standard reference conditions 25°C (77°F) Air Inlet Temp, 100m (328 ft) A.S.L. 30% relative humidity.

General Data

Engine Make	Perkins
Engine Model	1206A-E70TTAG2
Alternator Make	Stamford
Alternator Model	UCDI274J
Control Unit	DSE 7120
Engine Speed: RPM	1500
Fuel Tank Capacity (l)	650
Fuel Consumption Standby (l/hr)	56.6
Fuel Consumption Prime (l/hr)	51.0
Fuel Consumption 75% (l/hr)	38.0
Fuel Consumption 50% (l/hr)	25.5

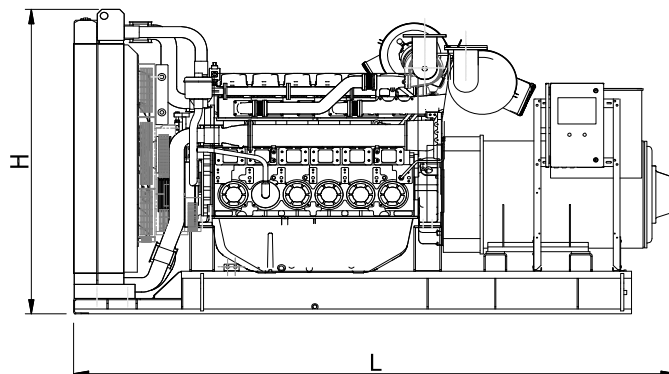
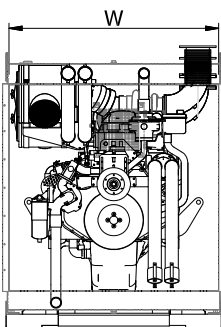
Optional Features and Customization

Optional Features and Customization include:

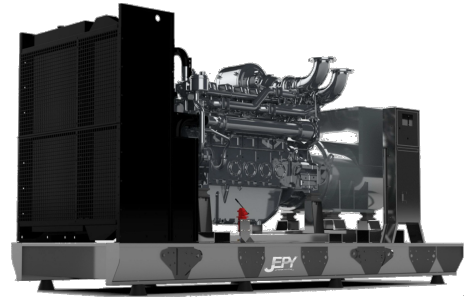
- Weather and sound proof enclosure
- Stand-alone control panel
- Synchronizing panel
- Load sharing
- Residential silencer
- CE certification
- LV Circuit Breaker

Dimensions and Weights

	Length (mm)	Width (mm)	Height (mm)	Weight (Kg)	
				Dry	Wet
Open Set	3000	1000	1720	2876	2915
Canopied Set	4900	1820	2463	4408	4475



• Dimensions and weights are for guidance only. Certified drawings are available upon request. Specifications may change without notice.



MP230EP

Engine Data

Engine Model	1206A-E70TTAG2	
No. of Cylinders	6	
Alignment	Vertical in-line	
Cycle	4 stroke DI	
Bore	mm (in)	105 (4.13)
Stroke	mm (in)	135 (5.3)
Induction	TC-AC	
Cooling Method	Water	
Governing Type	N.A.	
Governing Class	ISO 8528 G2	
Compression Ratio	15.8 : 1	
Displacement	L (cu.in)	7.01 (427.7)
Moment of Inertia	kg m ²	N.A.
Voltage	VDC	24
Ground	Negative	
Battery Charger Amps	45	
Engine Weight Dry	Kg (lb)	778 (1715)
Engine Weight Wet	Kg (lb)	800 (1764)

Engine Performance Data

Engine Speed	rpm	1500
Gross Engine Power Prime	kW (hp)	204.2 (273.7)
Gross Engine Power Standby	kW (hp)	226.1 (303.1)
BMEP Prime	kPa (psi)	N.A.
BMEP Standby	kPa (psi)	N.A.

Air System

Combustion Air Flow Prime	m ³ /min	14.4
Combustion Air Flow Standby	m ³ /min	15
Max. Combustion Air Intake Restri	kPa	6.2

Alternator Physical Data

No. of Bearings	1	
Insulation Class	H	
Winding Pitch	2/3	
Winding Code	N.A.	
Wires	12	
Ingress Protection Rating	IP23	
Excitation System	Shunt	
AVR Model	SX460	
Radio Interference Suppression	EN61000-6	

Fuel System

Recommended Fuel	Class A2 Diesel	
Fuel Consumption Prime (110%)	l/hr	56.6
Fuel Consumption Prime (100%)	l/hr	51.0
Fuel Consumption Prime (75%)	l/hr	38.0
Fuel Consumption Prime (50%)	l/hr	25.5
Fuel Consumption Standby (110%)	l/hr	N.A.
Fuel Consumption Standby (100%)	l/hr	56.6
Fuel Consumption Standby (75%)	l/hr	N.A.
Fuel Consumption Standby (50%)	l/hr	N.A.
Fuel Consumption Continuous	l/hr	N.A.

(Based on diesel fuel with a specific gravity of 0.86 and conforming to BS2869 classA2, EN590)

Cooling System

Cooling System Capacity	(l)	25
Heat Radiation to Room*: Prime	kW	N.A.
Heat Radiation to Room*: Standby	kW	N.A.
Radiator Fan Load	kW	N.A.
External Restriction to Airflow	Pa	125

Lubrication System

Oil Filter Type	Replaceable elt.	
Total Oil Capacity	(l)	16
Oil Pan Capacity:	(l)	13
Oil Type	SAE 15W40	
Oil Cooling Method	Water	

Exhaust System

Maximum Allowable Back Pressur	kPa	10
Exhaust Gas Flow: Prime	m ³ /min	N.A.
Exhaust Gas Flow: Standby	m ³ /min	N.A.
Exhaust Gas T°: Prime	°C	475
Exhaust Gas T°: Standby	°C	475

Alternator Operating Data

Overspeed	rpm	2250
Voltage Regulation: (Steady state)	%	±1
Total Harmonic content	%	<5
Short Circuit Capacity	%	>300
Reactance (Xd)	%	175
Reactance (X'd)	%	9
Reactance (X''d)	%	6

• Dimensions and weights are for guidance only. Certified drawings are available upon request. Specifications may change without notice.