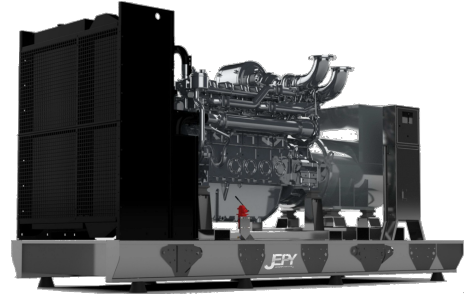




MP2300EM



| Output Rating | | | | |
|---------------|-----------|-----|---------|-------|
| Voltage | Frequency | | Standby | Prime |
| 400 V | 50 Hz | KVA | 2530 | 2300 |
| | | KW | 2024 | 1840 |

Rating Definitions

Ratings are in accordance with ISO 8528, ISO 3046, BS 5514.

Prime Rating

Applicable for supplying continuous electrical power (no limitation to annual hours of operation), at variable load, in lieu of utility power network; 10% overload is permitted for 1 hour in every 12 hours.

Standby Rating

Applicable for supplying continuous electrical power, at variable load, in the event of a utility power failure; no overload is permitted on standby ratings.

Standard Reference Conditions

Standard reference conditions 25°C (77°F) Air Inlet Temp, 100m (328 ft) A.S.L. 30% relative humidity.

General Data

| | |
|---------------------------------|-------------|
| Engine Make | MTU |
| Engine Model | 16V4000G24F |
| Alternator Make | Leroy Somer |
| Alternator Model | LSA 53.2 M7 |
| Control Unit | DSE 7320 |
| Engine Speed: RPM | 1500 |
| Fuel Tank Capacity (l) | TBA |
| Fuel Consumption Standby (l/hr) | 513.3 |
| Fuel Consumption Prime (l/hr) | 447.5 |
| Fuel Consumption 75% (l/hr) | 339.1 |
| Fuel Consumption 50% (l/hr) | 237.9 |

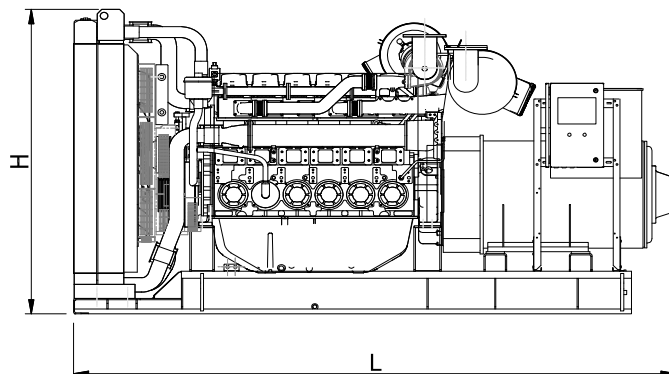
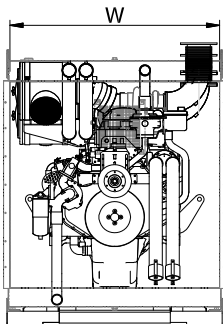
Optional Features and Customization

Optional Features and Customization include:

- Weather and sound proof enclosure
- Stand-alone control panel
- Synchronizing panel
- Load sharing
- Residential silencer
- CE certification
- LV Circuit Breaker

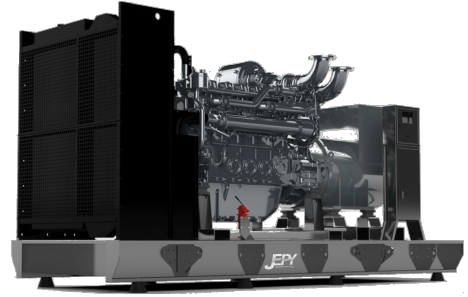
Dimensions and Weights

| | Length (mm) | Width (mm) | Height (mm) | Weight (Kg) | |
|--------------|-------------|------------|-------------|-------------|-------|
| | | | | Dry | Wet |
| Open Set | 6140 | 2315 | 3075 | 15735 | 15900 |
| Canopied Set | TBA | TBA | TBA | TBA | TBA |



• Dimensions and weights are for guidance only. Certified drawings are available upon request. Specifications may change without notice.

MP2300EM



Engine Data

| | | |
|-------------------|-------------------|--------------|
| Engine Model | | 16V4000G24F |
| No. of Cylinders | | 16 |
| Alignment | | 260.6 |
| Cycle | | 4-cycle |
| Bore | mm (in) | 170 (6.7) |
| Stroke | mm (in) | 210 (8.3) |
| Induction | | TC-AC |
| Cooling Method | | Water |
| Governing Type | | Electronic |
| Governing Class | | ECU 9 |
| Compression Ratio | | 16.4 |
| Displacement | L (cu.in) | 4.77 (291) |
| Moment of Inertia | kg m ² | N.A. |
| Voltage | VDC | 24 |
| Ground | | Negative |
| Capacity | | N.A. |
| Engine Weight Dry | Kg (lb) | 7700 (16976) |
| Engine Weight Wet | Kg (lb) | 7900 (17417) |

Engine Performance Data

| | | |
|----------------------------|-----------|-------------|
| Engine Speed | rpm | 1500 |
| Gross Engine Power Prime | kW (hp) | 1965 (2635) |
| Gross Engine Power Standby | kW (hp) | 2185 (2930) |
| BMEP Prime | kPa (psi) | N.A. |
| BMEP Standby | kPa (psi) | N.A. |

Air System

| | | |
|-----------------------------------|---------------------|-----|
| Combustion Air Flow Prime | m ³ /min | 38 |
| Combustion Air Flow Standby | m ³ /min | 156 |
| Max. Combustion Air Intake Restri | kPa | 5 |

Alternator Physical Data

| | | |
|---------------------------|--|----------------|
| No. of Bearings | | 1 |
| Insulation Class | | H |
| Winding Pitch | | 2/4 |
| Winding Code | | N.A. |
| Wires | | N.A. |
| Ingress Protection Rating | | IP23 |
| Excitation System | | S-E, Brushless |
| AVR Model | | Electronic |

Fuel System

| | | |
|---------------------------------|------|-----------------|
| Recommended Fuel | | Class A2 Diesel |
| Fuel Consumption Prime (110%) | l/hr | 513.3 |
| Fuel Consumption Prime (100%) | l/hr | 447.5 |
| Fuel Consumption Prime (75%) | l/hr | 339.1 |
| Fuel Consumption Prime (50%) | l/hr | 237.9 |
| Fuel Consumption Standby (110%) | l/hr | N.A. |
| Fuel Consumption Standby (100%) | l/hr | 513.3 |
| Fuel Consumption Standby (75%) | l/hr | 381.1 |
| Fuel Consumption Standby (50%) | l/hr | 260.6 |
| Fuel Consumption Continuous | l/hr | N.A. |

(Based on diesel fuel with a specific gravity of 0.86 and conforming to BS2869 classA2, EN590)

Cooling System

| | | |
|-------------------------------------|---------------------|------|
| Cooling System Capacity | (l) | N.A. |
| Heat rejection to coolant*: Prime | kW | 730 |
| Heat rejection to coolant*: Standby | kW | 800 |
| Fan power for mech. Rad. (40°C) | kWm | 44 |
| Cooling air flow | m ³ /min | N.A. |

Lubrication System

| | | |
|--------------------|-----|------------------|
| Oil Filter Type | | Replaceable elt. |
| Total Oil Capacity | (l) | 300 |
| Oil Pan Capacity: | (l) | N.A. |
| Oil Type | | SAE 15W40 |
| Oil Cooling Method | | Water |

Exhaust System

| | | |
|--------------------------------|---------------------|-----|
| Maximum Allowable Back Pressur | kPa | 8.5 |
| Exhaust Gas Flow: Prime | m ³ /min | 348 |
| Exhaust Gas Flow: Standby | m ³ /min | 396 |
| Exhaust Gas T°: Prime | °C | 490 |
| Exhaust Gas T°: Standby | °C | 485 |

Alternator Operating Data

| | | |
|------------------------------------|-----|-----------|
| Overspeed | rpm | 2250 |
| Voltage Regulation: (Steady state) | % | ±0.25 |
| Wave Form NEMA = TIF | | 50 |
| Wave Form IEC = THF | % | 2 |
| Total Harmonic content LL/LN | % | N.A. |
| Radio Interference | | EN61000-6 |
| Radiant Heat: 50 Hz | kW | N.A. |

• Dimensions and weights are for guidance only. Certified drawings are available upon request. Specifications may change without notice.