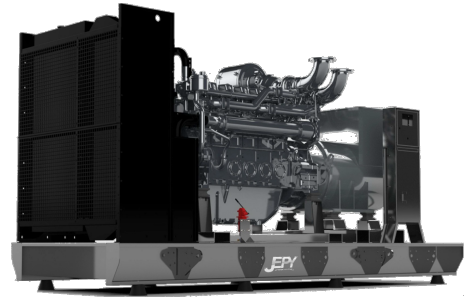




# MP1750EP



Output Rating				
Voltage	Frequency		Standby	Prime
400 V	50 Hz	KVA	1900	1750
		KW	1520	1400

## Rating Definitions

Ratings are in accordance with ISO 8528, ISO 3046, BS 5514.

### Prime Rating

Applicable for supplying continuous electrical power (no limitation to annual hours of operation), at variable load, in lieu of utility power network; 10% overload is permitted for 1 hour in every 12 hours.

### Standby Rating

Applicable for supplying continuous electrical power, at variable load, in the event of a utility power failure; no overload is permitted on standby ratings.

### Standard Reference Conditions

Standard reference conditions 25°C (77°F) Air Inlet Temp, 100m (328 ft) A.S.L. 30% relative humidity.

General Data	
Engine Make	Perkins
Engine Model	4012-46TAG3A
Alternator Make	Stamford
Alternator Model	PI 734E
Control Unit	DSE 7x20
Engine Speed: RPM	1500
Fuel Tank Capacity (l)	TBC
Fuel Consumption Standby (l/hr)	405.0
Fuel Consumption Prime (l/hr)	370.0
Fuel Consumption 75% (l/hr)	275.0
Fuel Consumption 50% (l/hr)	187.0

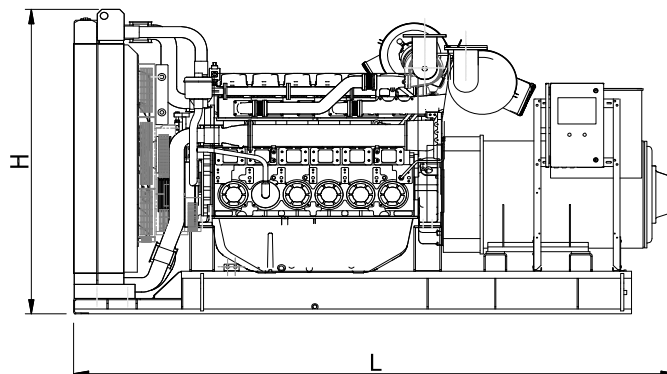
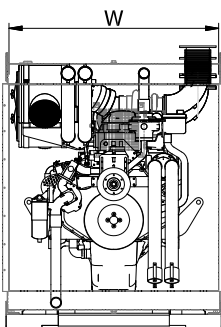
## Optional Features and Customization

Optional Features and Customization include:

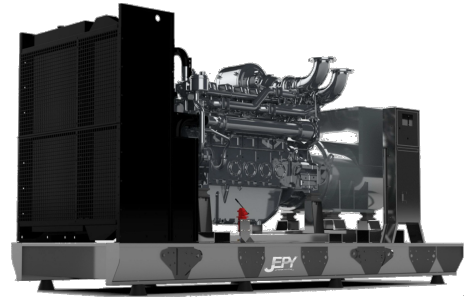
- Weather and sound proof enclosure
- Stand-alone control panel
- Synchronizing panel
- Load sharing
- Residential silencer
- CE certification
- LV Circuit Breaker

## Dimensions and Weights

	Length (mm)	Width (mm)	Height (mm)	Weight (Kg)	
				Dry	Wet
Open Set	5100	2090	2510	10080	10290
Canopied Set	TBC	TBC	TBC	TBC	TBC



• Dimensions and weights are for guidance only. Certified drawings are available upon request. Specifications may change without notice.



# MP1750EP

## Engine Data

Engine Model		4012-46TAG3A
No. of Cylinders		12
Alignment		60° Vee form
Cycle		4 stroke
Bore	mm (in)	160 (6.3)
Stroke	mm (in)	190 (7.5)
Induction		TC -AA
Cooling Method		Water
Governing Type		Electronic
Governing Class		ISO 8528 G2
Compression Ratio		13.6 : 1
Displacement	L (cu.in)	45.842 (2797)
Moment of Inertia	kg m <sup>2</sup>	19.3
Voltage	VDC	24
Ground		Negative
Battery Charger Amps		40
Engine Weight Dry	Kg (lb)	4400 (9700)
Engine Weight Wet	Kg (lb)	4604 (10150)

## Engine Performance Data

Engine Speed	rpm	1500
Gross Engine Power Prime	kW (hp)	1500 (2012)
Gross Engine Power Standby	kW (hp)	1643 (2203)
BMEP Prime	kPa (psi)	2618 (379.7)
BMEP Standby	kPa (psi)	2868 (415.9)

## Air System

Combustion Air Flow Prime	m <sup>3</sup> /min	125
Combustion Air Flow Standby	m <sup>3</sup> /min	135
Max. Combustion Air Intake Restri	kPa	4

## Alternator Physical Data

No. of Bearings		1
Insulation Class		H
Winding Pitch		2/3
Winding Code		N.A.
Wires		12
Ingress Protection Rating		IP23
Excitation System		TBC
AVR Model		TBC
Radio Interference Suppression		EN61000-6

## Fuel System

Recommended Fuel		Class A2 Diesel
Fuel Consumption Prime (110%)	l/hr	405.0
Fuel Consumption Prime (100%)	l/hr	370.0
Fuel Consumption Prime (75%)	l/hr	275.0
Fuel Consumption Prime (50%)	l/hr	187.0
Fuel Consumption Standby (110%)	l/hr	N.A.
Fuel Consumption Standby (100%)	l/hr	405.0
Fuel Consumption Standby (75%)	l/hr	297.3
Fuel Consumption Standby (50%)	l/hr	205.0
Fuel Consumption Continuous	l/hr	310.0

(Based on diesel fuel with a specific gravity of 0.86 and conforming to BS2869 classA2, EN590)

## Cooling System

Cooling System Capacity	(l)	207
Heat Radiation to Room*: Prime	kW	175
Heat Radiation to Room*: Standby	kW	195
Radiator Fan Load	kW	64
External Restriction to Airflow	Pa	250

## Lubrication System

Oil Filter Type		Replaceable elt.
Total Oil Capacity	(l)	177
Oil Pan Capacity:	(l)	159
Oil Type		SAE 15W40
Oil Cooling Method		Water

## Exhaust System

Maximum Allowable Back Pressur	kPa	5
Exhaust Gas Flow: Prime	m <sup>3</sup> /min	350
Exhaust Gas Flow: Standby	m <sup>3</sup> /min	350
Exhaust Gas T°: Prime	°C	480
Exhaust Gas T°: Standby	°C	480

## Alternator Operating Data

Overspeed	rpm	2250
Voltage Regulation: (Steady state)	%	±1
Total Harmonic content	%	<5
Short Circuit Capacity	%	>300
Reactance (Xd)	%	TBC
Reactance (X'd)	%	TBC
Reactance (X''d)	%	TBC

• Dimensions and weights are for guidance only. Certified drawings are available upon request. Specifications may change without notice.